

U.are.U® 4500 Reader

Optical USB Fingerprint Reader



APPLICATIONS

- Desktop PC security
- Mobile PC security
- Custom applications

FEATURES

- Blue LED
- Small form factor
- Excellent image quality
- Superior ESD resistance
- Encrypted fingerprint data
- Latent print rejection
- Counterfeit finger rejection
- Rotation invariant
- Rugged
- Works well with dry, moist or rough fingerprints
- Compatible with Windows® 7, Vista®, XP Professional, 2000 and Windows Server 2000, 2003, 2008

PRODUCT DESCRIPTION

The U.are.U 4500 Fingerprint Reader is a USB peripheral perfect for individual desk top users, as well as multiple users in shared environments. Its compact design conserves desk space in enterprises, and its professional, modern appearance looks elegant in point-of-sale environments. The U.are.U 4500 Reader utilizes optical fingerprint scanning technology to achieve excellent image quality, a large capture area and superior reliability. A silicone coating allows it to read a wide range of fingerprints accurately and rapidly regardless of placement angle. The high-quality metal casing resists unintentional movement.

To use, simply place a finger on the reader window and the reader quickly and automatically captures and encrypts the fingerprint image before sending it to the DigitalPersona® FingerJet™ biometric engine for verification. For superior user feedback, a red “flash” indicates that a fingerprint image has been captured.

The U.are.U 4500 Fingerprint Reader is designed for use with Crossmatch's™ full range of software including our authentication solutions, DigitalPersona Pro Enterprise and DigitalPersona Online, as well as our U.are.U Software Development Kits (except for the U.are.U SDK for Android®). Whether you are an enterprise customer or a system integrator, Crossmatch's biometric identity verification solutions provide a natural extension to your security system and applications.

ABOUT CROSSMATCH

Crossmatch helps organizations solve their identity management challenges through biometrics. We empower governments, law enforcement agencies, banks, retailers and other enterprises to mitigate risk, drive productivity and improve service levels. Our solutions are built on consultative expertise, refined best practices and the application of advanced biometrics technologies. Crossmatch understands the forces of change in the markets we serve and we develop solutions that anticipate customer requirements. Our network of consultative and technical service experts collaborate with customers in more than 80 countries worldwide.

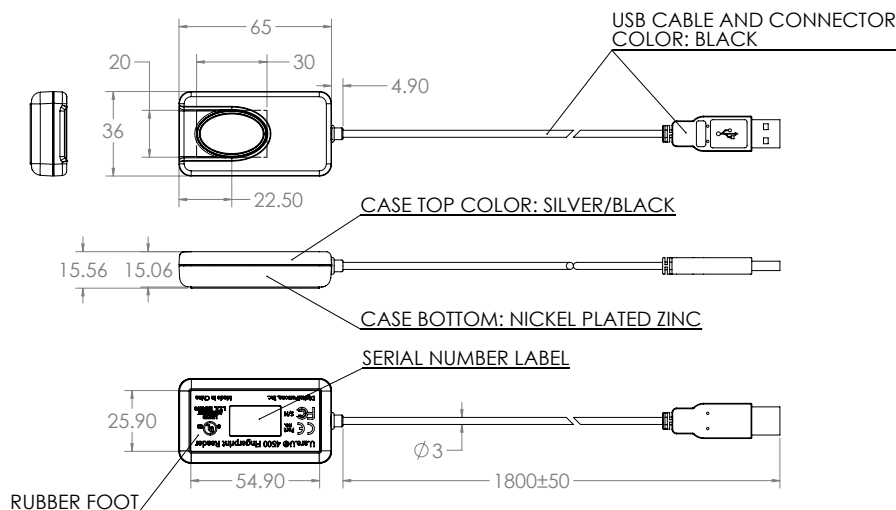
Learn more at www.crossmatch.com

U.are.U[®] 4500 Reader

Optical USB Fingerprint Reader



MECHANICAL SPECIFICATIONS



ALL DIMENSIONS ARE IN MILLIMETERS

KEY SPECIFICATIONS

- Pixel resolution: 512 dpi (average x, y over the scan area)
- Scan capture area: 14.6 mm (nom. width at center) 18.1 mm (nom. length)
- 8-bit grayscale (256 levels of gray)
- Reader size (approximate): 65 mm x 36 mm x 15.56 mm
- Compatible with USB 1.0, 1.1 and 2.0 (Full Speed) specifications

RATINGS

Supply Voltage	5.0V ±5% supplied by USB
Supply Current—scanning	< 100 mA (Typical)
Supply Current—idle mode	120 mA (Typical)
Supply Current—suspend mode	< 0.5 mA (Maximum)
ESD Susceptibility	>15 kV, mounted in case
Temperature, Operating	0 - 40 C
Humidity, Storage	20% - 90% non-condensing
Scan Data	8-bit grayscale
Standards Compliance	FCC Class B, CE, ICES, BSMI, MIC, USB, WHQL
Weight	105 grams
Interface	USB 2.0 Full-speed High Power Device

Data subject to change without notice

Corporate Headquarters:

Crossmatch

3950 RCA Boulevard, Suite 5001
Palm Beach Gardens, FL 33410 USA

www.crossmatch.com